

MAXIREACH-BD™

AQC SOURCE CAPTURE EQUIPMENT

PIVOTING EXTENSION BOOM



- Budget design extension swing boom
- Rugged painted steel construction
- Increases reach of equipment by up to 15' [4,6m]
- May be equipped with MAXAIR fume arm, MAXIREEL exhaust hose reel or MAXIDROP hose drop system
- Easy to install with minimal components
- Two diameters available

*Superior technology generating
substantial operating savings*



MAXIREACH-BD™

High-Productivity Innovative Products

Extension pivot boom

MAXIREACH-BD pivoting extension boom is the offspring of the original MAXIREACH extension swing boom but with Budget Design in mind. Made with rugged structural epoxy painted steel, the MAXIREACH-BD may be fitted with our MAXAIR fume arms, MAXIREEL or MAXIDROP exhaust systems. Available in 6" and 8" (150mm and 200mm) with a 15' (4.6m) maximum reach, the MAXIREACH-BD basic components are installed in very little time. The spiral duct on the horizontal beam reduces static pressure for better transport velocities.



A Leading-Edge, High-Performance Company

The AQC Dust Collecting Systems division manufactures a full range of safe, industrial dust collectors, as well as dust and smoke capture equipment at the leading edge of air pollution control technologies based on more than 30 years' experience in the field.

AQC's strength lies in its innovative products designed and developed to generate substantial savings throughout their entire operating life.

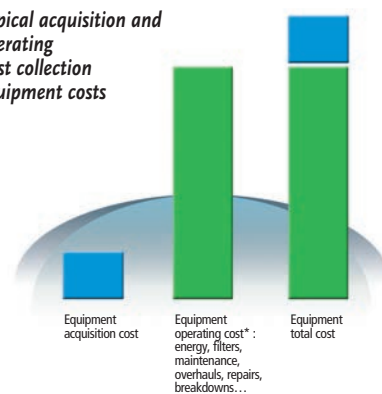
AQC is renowned for its technological innovation, safe and sophisticated equipment design, as well as its robust and precise product manufacturing. For example, the unique design of the baffles inside AQC dust collectors makes filter cleaning easy. The AQC cartridge holder design provides maximum filter surface and enhanced filter performance. The ultra-smooth concept inside AQC fume arms makes them maintenance-free.

In short, AQC equipment is designed and built to generate substantial operating savings in terms of time, money and energy. This translates to major reductions in operating costs – from 10 to 20% – throughout the equipment's service life. This scale of savings can represent a significant portion of the equipment's total purchase price. Companies looking to maximize their profitability should factor in these savings when purchasing equipment.

The unique design and manufacturing of AQC equipment generates significant savings for various reasons :

- Substantial increase in the duration of filters.
- Lower energy consumption during years of use.
- Significantly less maintenance (easy to clean, robust manufacturing, a minimum number of more reliable and durable parts).
- Reduced operating costs (less frequent overhauls, lack of or minimum down time, etc.).
- Lower administrative costs (coordination, follow-ups, supervision) due to much less frequent breakdowns.
- Safe design can prevent serious or even fatal accidents.
- Increased comfort and productivity of personnel.

Typical acquisition and operating dust collection equipment costs



The acquisition cost is just one part of the equation. It's the total cost including the operating cost ***throughout the life cycle of the equipment** that must be kept low. This is what AQC delivers. The advanced technology, design, robustness, durability and safety of AQC products generate major savings during the equipment's entire life cycle.

MAXIREACH-BD WHEN EXTENDED REACH IS A MUST

A great compliment to MAXAIR fume arms, MAXIREEL exhaust hose reels or MAXIDROP hose drops

Most of our competitors do not include these standard features :

- Completely self-supported
- Friction disks for ease of use
- Choice of two diameters: 6" [150 mm] or 8" [200 mm] and lengths up to 15' [4.6 m]
- Pivot base for increased coverage
- Smooth tube design equals lower static pressure
- Robust and heavy gauge steel construction (epoxy painted)

MULTIPLE POSSIBILITIES FOR VARIOUS APPLICATIONS

- Large welding shops • Truck maintenance • Dust and smoke exhaust

TYPICAL APPLICATIONS FOR THE MAXIREACH-BD EXTENSION BOOMS



Boom lateral positioning cable and handle kit

MAXIREACH-BD single pivot boom with MAXIREEL exhaust hose reel



MAXIREACH-BD pivot boom with MAXAIR fume arm



MAXIREACH-BD pivot boom with MAXIDROP hose drop kit

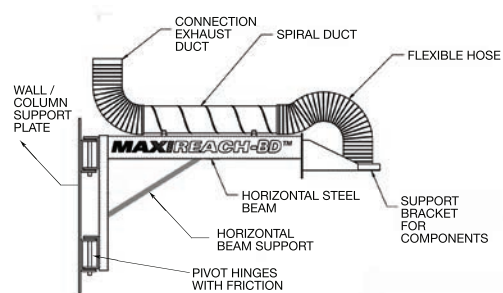
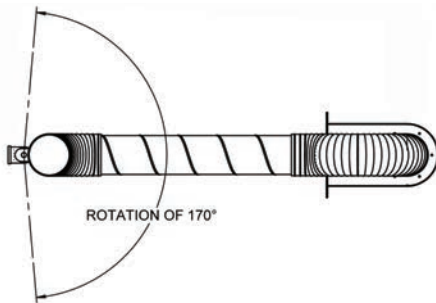
Installation height of horizontal beam and equipment at end of such beam should be coordinated with the facility manager for safety of the employees. Lateral movement of the MAXIREACH-BD extension swing boom should not encumber other equipment or be a potential risk of injury to employees.

MODEL NUMBERS

Model numbers	Diameter x Length	Weight (lb)/(kg)	Suggested air volume vs S.P. (in./pascals) (regardless of length)	Model numbers	Diameter x Length	Weight (lb)/(kg)	Suggested air volume vs S.P. (in./pascals) (regardless of length)
EBC-605	6" x 60" (150 mm x 1500 mm)	90/40	700 / 800 C.F.M. (330 /375 L/s) 0.60 / 0.75" / 150 / 175pa	EBC-805	8" x 60" (200 mm x 1500 mm)	100/45	900 / 1000 C.F.M. (420 / 470 L/s) 0.90 / 1.25" / 225 / 315pa
EBC-610	6" x 120" (150 mm x 3000 mm)	150/68		EBC-810	8" x 120" (200 mm x 3000 mm)	175/80	
EBC-615	6" x 180" (150 mm x 4500 mm)	195/88		EBC-815	8" x 180" (200 mm x 4500 mm)	220/100	

MAXIREEL OPTIONAL EQUIPMENT NOTE AND MODEL NUMBER : add suffix letter H to MAXIREACH-BD model number for extension booms equipped with hose reel. Ex : EBCH-815 instead of EBC-815. Refer to MAXIREEL leaflet for details.

Boom base shipping and installation note : because of shipping and crating costs, sections of horizontal beams longer than 10' (3 meters) are shipped in 2 parts. Ex : model EBC-615 main beam will be 15' long but shipped in one piece of 10' and one piece of 5'. Joining hardware is supplied for field assembly, if customer needs to have only 1 section of 15', surcharge for odd size shipment will be quoted.



CREATE YOUR MAXIREACH-BD EXTENSION BOOM SPECIFICATION

1. Extension swing boom should include :

Tubular steel tubing and spiral ducting for minimal static pressure, single pivot with friction disks and support plate with horizontal beam support, 250°F flexible hoses at pivot joint, support bracket for MAXAIR arm or MAXIDROP hose drop system.

2. Extension swing boom should have diameter of :

- a) 6" [160 mm]
- b) 8" [200 mm]

3. Extension swing boom should have a total length of :

- a) 5' [1,55 m]
- b) 10' [3,10 m]
- c) 15' [4,60 m]

4. Extension swing boom should include :

- support bracket for Maxireel exhaust hose reel

5. Extension swing boom should include optional :

- a) 700 °F [370 °C] flexible hoses at pivot joint
- b) 900 °F [480 °C] flexible hoses at pivot joint
- c) telescopic aluminium grab pole for boom positioning with Maxireel or Maxidrop exhaust system
- d) lateral positioning cable and handle kit for booms equipped with MAXIREEL or MAXIDROP exhaust system

Note : specifications listed above may be modified to suit application. Contact A.Q.C. or representative for information.

Your A.Q.C. representative is :



To obtain a free copy of our full-colour corporate brochure, please call : 1-866-629-4356

660, de la Sabliere, Bois-des-Filion (Quebec) Canada J6Z 4T7
 Tel. : 1-866-629-4356 • Fax : (450) 621-6677
 Web site : www.aqc dust.com • e-mail : info@aqcdust.com