



DUST
COLLECTING
SYSTEMS

VEHICLE EXHAUST REMOVAL SYSTEMS

CANADA ONLY



Proven Technology for Removing
Vehicle Exhaust Emissions



MagneGrip systems meet the NFPA 1500 Standard for “No system is more effective than MagneGrip in protecting the health of firehouse personnel ... GUARANTEED

THE WORLD’S MOST ADVANCED EXHAUST REMOVAL SYSTEMS

FULLY AUTOMATIC When the engine starts, a wireless sensor automatically switches on the exhaust fan. All toxic exhaust soot and gases are drawn through a high-temperature hose and sealed ductwork and safely dispersed outside the building. The fan shuts down automatically.

ALWAYS PROTECTED For engine tests, the manual override option is used to keep the fan on while the engine runs for longer periods. With the Exhaust Removal System connected to the apparatus, firehouse personnel are totally protected from breathing cancer-causing exhaust gases and soot.

PROBLEM-FREE During emergency runs, MagneGrip’s revolutionary, patented nozzle automatically disconnects as the apparatus exits the firehouse. No air compressors or electrical system support is required for the system to operate. It’s the easiest-to-use, most problem-free system available.

MORE SOLUTIONS MagneGrip Group has more exhaust removal solutions than any other company. Don’t settle for the only system a manufacturer offers - compare systems to make the best choice. This provides your Fire Department with an exacting application and no operational problems.



SLIDING FLEXHOSE (NO LOOP) TRACK (SFT) SYSTEM

This compact system works well in firehouses with back-in bays that have low ceilings or narrow spaces between vehicles—needing only 19-24 inch aisles. The system has no hanging hose loops that block access to doors or loading.

The expandable flexhose extends and retracts along the track as the apparatus moves forward and back. When the apparatus operator starts the engine, the exhaust fan activates automatically. As the apparatus moves forward, the flexhose extends to the end-stop and the nozzle automatically releases at the threshold of the door.

The no-loop Flexhose system is completely sealed so no toxic fumes escape into the firehouse. When the apparatus returns, the fan switches on as the MagneGrip nozzle connects to the tailpipe. The apparatus is then backed into the station.

SLIDING BALANCER TRACK (SBT) SYSTEM

The MagneGrip Sliding Balancer Track (SBT) System can be installed in each bay for one vehicle or for two vehicles parked in tandem. It provides door-to-door exhaust capture in firehouses with drive-thru or back-in bays. It connects to emergency or non-emergency vehicles.

The balancer controls the cable that holds the hose in position. It is connected to a dual-glide trolley that moves inside the overhead track.

When the alarm sounds and the vehicle exits, the trolley glides forward until it reaches a rubber end-stop. At that point, the hose extends to the threshold of the door and the nozzle automatically disconnects.



Highest Airflow Available.
MagneGrip systems have the highest airflow of any 100% sealed system - totally removing exhaust emissions in the fastest, most effective manner possible.

STRAIGHT SUCTION RAIL (SSR) SYSTEM

This system is designed to fit in firehouses with little space to spare. It accommodates emergency response vehicles parked in tandem (up to four vehicles). Minimum hose lengths are used.

The overhead aluminum suction rail serves as part of the exhaust duct system. A trolley mounts on the suction rail with external wheels and travels with the movement of the vehicle. The hose is connected to a funnel-shaped inlet at the bottom of the trolley and flexible rubber "lips" seal around the inlet.

When the engine is started, an auto-start sensor switches on the exhaust fan, drawing the exhaust emissions into the rail and ductwork. As the apparatus exits, the trolley glides along the rail and the MagneGrip nozzle automatically disconnects at the doorway.





VERTICAL STACK RAIL (VSR) SYSTEM

This system is for vehicles having vertical stack exhausts and no manual connection is required. As the apparatus enters the firehouse, the stack catcher adjusts horizontally to align the suction rail with the vertical stack exhaust. MagneGrip's nine-inch rail (the industry's largest) provides maximum airflow.

When the apparatus ignition is engaged, a wireless signal starts the exhaust fan. Upon returning to the station, the fan starts automatically as the apparatus pulls into the bay. All exhaust emissions are drawn through the suction rail and vented outside the building.

SIMPLE DROP SYSTEM

This system has the same components as the Sliding Balancer Track System, without the track. If the vehicle leaves the firehouse on an emergency run, the MagneGrip nozzle remains connected until the hose and cable are fully extended and then it automatically releases.

Because the system captures and removes exhaust emissions at start up and until the nozzle disconnects, it eliminates the heaviest concentration of exhaust gases and particulates.

For tight budgets, installing a Simple Drop System is less expensive than a track system. It is a good option for vehicles that may be started everyday, but are not used regularly for emergency runs. Later, if needs change, a track can be installed and the system converted to provide door-to-door coverage.



HIGH-EFFICIENCY FANS

MagneGrip fans are designed solely for exhaust removal and run quieter than conventional fans. Spark-resistant, curved blades deliver highest efficiency.

INLINE PARTICULES FILTER - GREEN OPTION

Positioned in the exhaust removal system's ductwork, it captures exhaust particulates so they are not expelled into the air outside.



MAGNEGRIP'S NEW-TECHNOLOGY NOZZLE

MAGNET ASSISTED CONNECTION Rare-earth magnet assemblies provide exactly the holding power needed, making the nozzle easy to connect and faultless when it automatically releases.

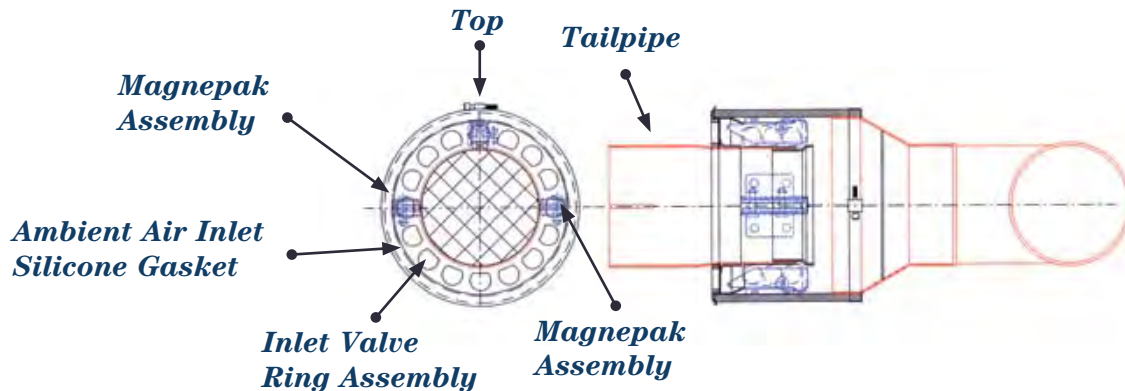
AMBIENT AIR The MagneGrip nozzle allows ambient air to enter and cool the exhaust discharge to reduce wear on the system. Air intake also eliminates negative air pressure on non-operating engines, preventing potential damage from the turbo spinning without lubrication.

SEALED 100% A one-way gasket allows ambient air to enter, but keeps exhaust fumes from escaping. The entire system is sealed from the tailpipe through the overhead ductwork for the best possible protection against carcinogenic contaminants.

ELBOW TRANSITION The elbow transition from the nozzle to hose is engineered to maximize airflow. It is made of high-impact aluminum that weighs less than steel and is 40% more heatresistant. It won't rust and is scratch-resistant.



OPTIONAL PNEUMATIC NOZZLE Our HazVent pneumatic nozzle inflates for an airtight seal around the tailpipe. The nozzle deflates automatically as the apparatus exits.



ADVANCED FEATURES

Lifting Elbow - Die-stamped, 90-degree lifting elbow eliminates hose pinch, twisting and sliding that occur with oldstyle rubber saddles.

Ignition-wire Transmitter - When vehicle starter is engaged, transmitter activates the exhaust fan. Also, upon return, transmitter automatically activates fan.

Support Cable - Support cable inside hose transfers weight to lifting elbow and balancer to eliminate hose stretching. Cable connects to nozzle at lower end to ensure easy release.



7-inch Tailpipe Adapter -

Accommodates new 7-inch tailpipes and allows for ambient air intake, which is required when vehicle has a DPF.



Hose & Handle - Lower two feet of hose is 5-ply for rugged durability. Handle enables personnel to connect nozzle effortlessly from a standing position.



Safety Tailpipe Adapter - Louvers direct hot exhaust discharge toward the ground and away from personnel and public. Also allows ambient air to enter.



MAGNEGRIP . . . THE ONLY PROVEN SAFE CHOICE

The most advanced technology for exhaust removal

Tested and proven in thousands of applications

100 % effective in removing cancer-causing toxins

Easily the safest, most reliable systems available

Requires less maintenance than any other system

Easy to use, dependable, fully automatic operation

Gives problem-free performance year after year

Nationwide team of installation / service technicians

**LET US DEMONSTRATE WHY MORE
FIRE DEPARTMENTS ARE CHOOSING MAGNEGRIP.**



ISO 9001:2008 CERTIFIED

FREE ENGINEERING SURVEY, PROPOSAL AND DRAWINGS :

www.aqcdust.com

Email: info@aqcdust.com

Note: Specifications listed above may be modified to suit application. Contact AQC or representative for information.

**Your AQC
representative is:**



660 rue de la Sablière, Bois-des-Filion (Québec) Canada J6Z 4T7
Phone. : **1-866-629-4356** • Fax : (450) 621-6677
Web site : www.aqcdust.com • e-mail : info@aqcdust.com